



Magswitch Technology Inc.
8774 Yates Drive #140
Westminster, CO 80031
www.Magswitch.com.au

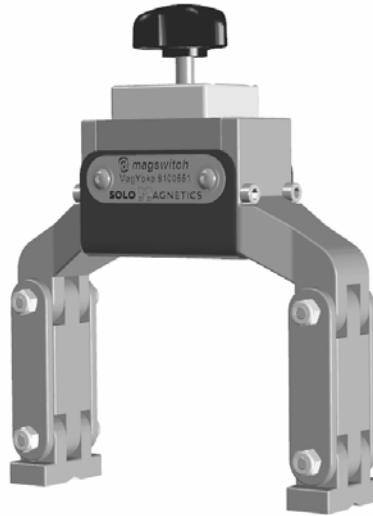
Magswitch MagYoke Operation and Instruction Manual



Solo Magnetics Inc.
8045 Coronet Road N.W.
Edmonton, AB, T6E 4N7
www.solomagnetics.com

**This Magswitch MagYoke Is Designed To Identify Flaws Within Ferromagnetic Materials.
Using Patented Technology, This Permanent Magnetic Yoke Is Switchable Between On and Off Magnetic States.**

Read All Instructions! Failure To Follow All Instructions Listed Below May Result In An Unsafe Or Dangerous Condition.



General Information

- **WARNING**, this MagYoke contains *powerful magnets* which may affect the implanted medical devices such as a pacemaker
- All Magnets need to be *kept at a safe distance* from all Magnetic storage devices, electronics and credit cards etc...
- Ensure that the MagYoke is *stored in the "OFF" position* when not in contact with Ferromagnetic metals. The MagYoke can be left ON or OFF indefinitely without harm. When ON and near Ferromagnetic metals there will be a sudden and powerful attraction.
- *Never use a MagYoke to lift any materials*, although it is ideal for debris cleanup, nuts and bolts, metal shavings, etc...
- **DO NOT attempt to disassemble or alter** the Magswitch MagYoke; there are no user serviceable parts inside the device.
- All Magswitch products are *designed for normal work/jobsite conditions*, do not use underwater or in a hazardous environment
- **DO NOT use the MagYoke if it is damaged or is not working properly**. Severe injury can occur if this device is not used properly and safely.
- **DO NOT expose the Magswitch Magnets to temperatures above 180 deg Fahrenheit (80 Celsius)**. High temperatures will permanently degrade the Magnet's effectiveness and may result in an unsafe condition.
- *Never use a MagYoke for OVERHEAD LIFTING* or to transport any materials.
- **This product contains PTFE lubricant**. For MSDS information contact Magswitch.
- **Always keep the bottom of the MagYoke feet and joints clean and free of debris and rust**. If service is required disassemble joints, wipe with WD40 or light oil.
- For safe operation, the **bottom surface of the Magnet must always be Flat and Smooth**. If necessary, it is possible to sand the Magnet face smooth using 400 grit sandpaper and a flat surface. **Always file any burrs** that would interfere with full contact.
- As with all precision devices, damage can occur from dropping, bumping and impact. **Magswitch recommends periodic inspection** by the user to ensure that the leg bolts are secure, the feet are flat and smooth and that the MagYoke still meets the lift requirements as per the appropriate standards

To Use the MagYoke

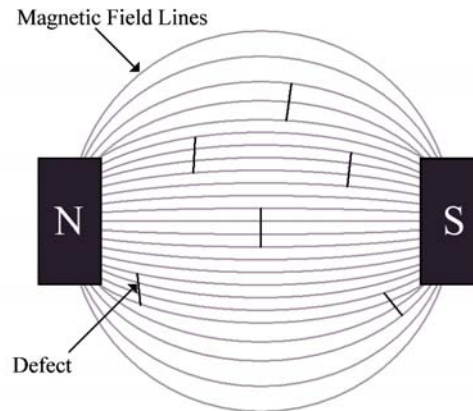
- Always **test the lifting power** as per relative standards before attempting to use the MagYoke to ensure that it is capable of meeting required specifications.
- **Numerous factors can negatively affect the strength** of the Magnetic bond, dirt, debris, oils and grease, painted surfaces and any gap between the Magnet and the metal surface will decrease the field strength. **Ensure that the connection point is clean** and free of these factors.
- **Avoid sudden jerking or Shock force** as this will cause the MagYoke to lose its hold.

MagYoke Operation

- **The handle on this MagYoke must be turned clockwise 180 degrees until it stops** in order to be turned "ON". It is not possible to hold the Magnet in place unless fully turned "ON".
- **DO NOT turn ON unless in contact with Ferromagnetic Metal**
- **To release the MagYoke push the handle down and turn the handle in the counter clockwise direction until it stops**. The MagYoke will **turn off and release** **Immediately** upon turning the handle. Use Caution to ensure that it is safe to release the MagYoke and that nothing will fall or become dangerous.
- **Always turn off power tools before turning the MagYoke ON or OFF to avoid injury**.

MagYoke Usage Manual

- The Yoke is to be moved into position such that the pole legs are orientated on the workpiece perpendicular to the direction of testing for defects.

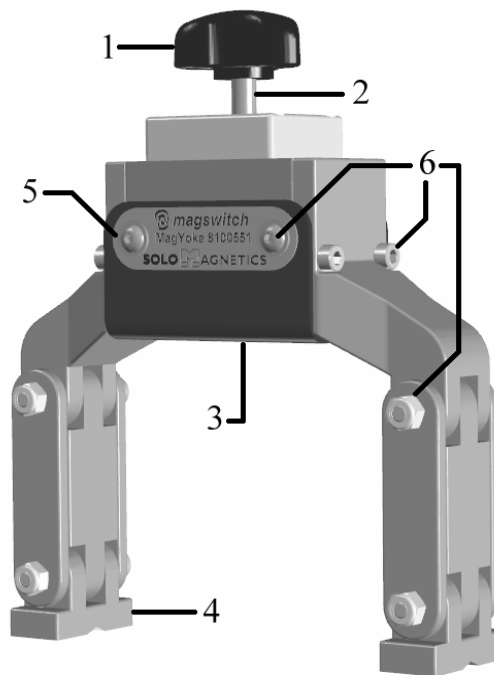


- The pole legs have two joints to allow freedom of movement in placing the pole feet in the desired position.
- Actuation of permanent magnet field occurs when the Yoke switch is turned "ON".
- Once the Yoke's magnetic field is actuated, the operator may then apply the appropriate inspection medium to check for surface defects in the workpiece.
- To further aid in ferromagnetic particle mobility the operator may then cycle the Yoke switch between the "ON" and "OFF" positions to create an alternating intensity magnetic field.
- Once the inspection has been completed the operator should turn the Yoke switch "OFF" and wipe the surface clean with a general purpose cleaner after use.
- Unlike a traditional permanent magnetic yoke, the Magswitch MS-1 MagYoke can be turned "OFF", allowing easy removal of ferromagnetic materials which may have been attracted to the pole legs.

Replacement Parts

ITEM	Description	Part Number
1	Knob	8800029
2	Shaft	8800012
3	Grip	8800119
4	Pole Foot	8800118
5	Name Plate	8800120
6	Two Fasteners of each type	8800117

MagYoke Construction



MagYoke Service

- Magswitch MagYoke replacement parts, repair, service and re-certification are available through SOLO Magnetism Inc. and or authorized distributors.
- Please refer to www.solomagnetics.com for contact information

Magswitch Limited Warranty

Magswitch products are covered by a One Year Limited Warranty on Material and Workmanship. Warranty is Non-Transferable.

Magswitch reserves the right to inspect all product claims under warranty. Any alteration of the device voids this warranty.

User assumes all risk for the proper use of this device and for ensuring product suitability for intended application.

This warranty shall not cover any incidental or consequential damages due to the improper use or failure of this device.

All Magswitch products are intended for the use identified on the package - not intended for resale or integration into products for resale. Contact Magswitch for inquires on integration of technology. Australian Patent: 753496, Chinese Patent: 254155, New Zealand Patent: 518865, Singapore Patents: 88931; 103413, South Africa Patents: 2002/3752; 2004/1785, US Patents: 6,707,360; 7,012,495. Additional Patents and Patent Applications Pending.